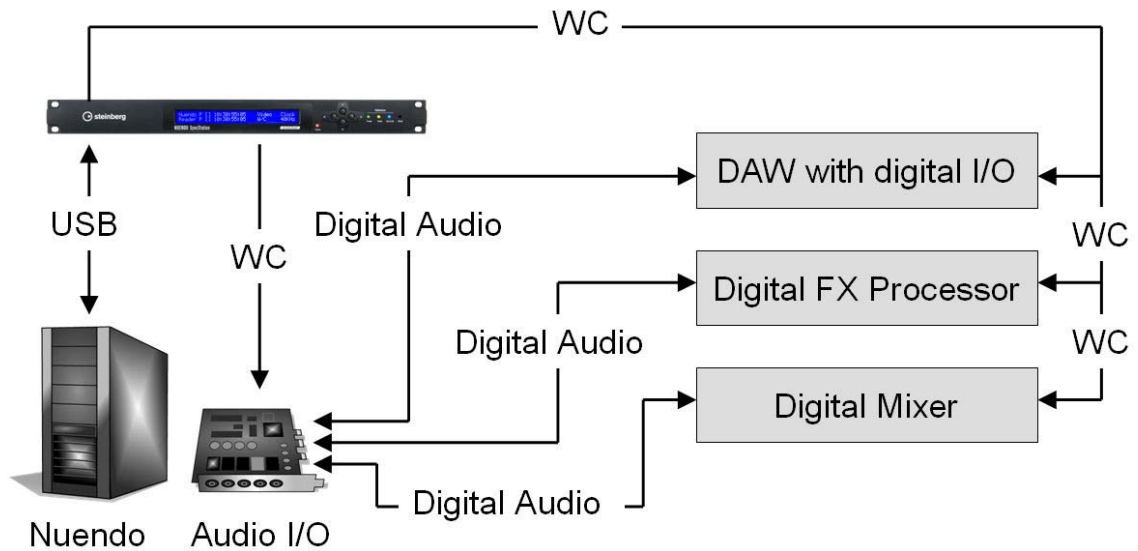
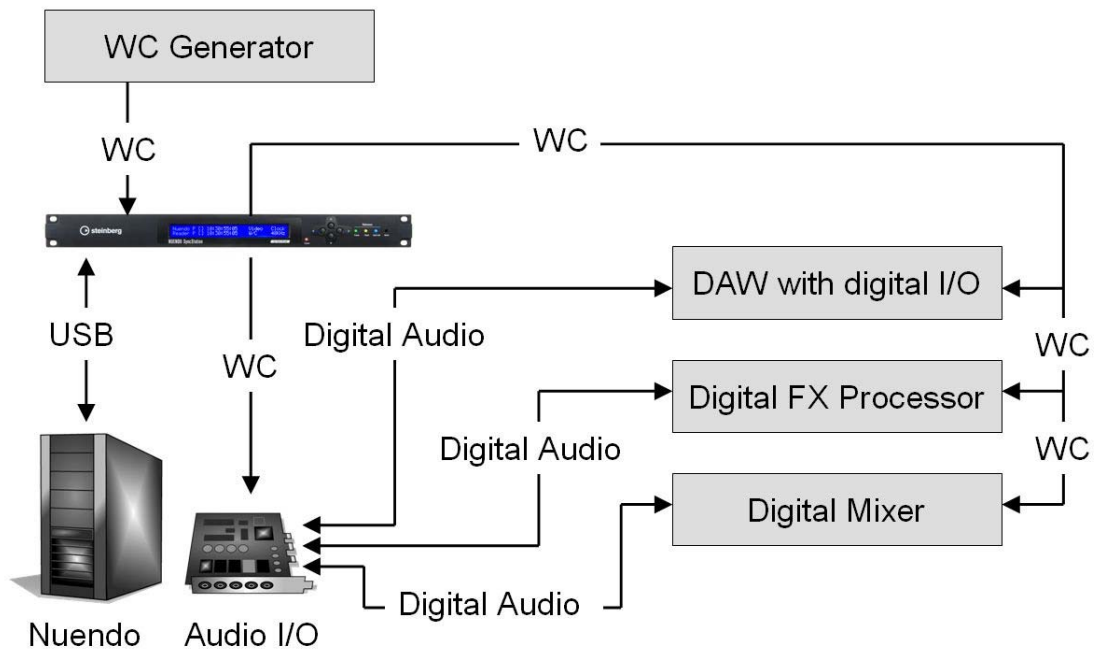


6 Use cases

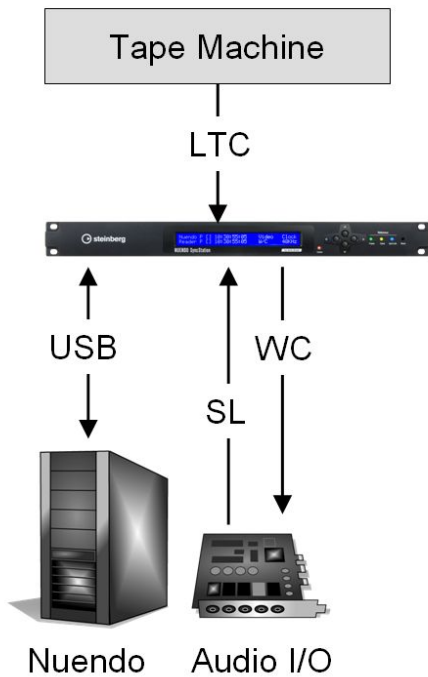
Nuendo SyncStation as clock generator (internal)



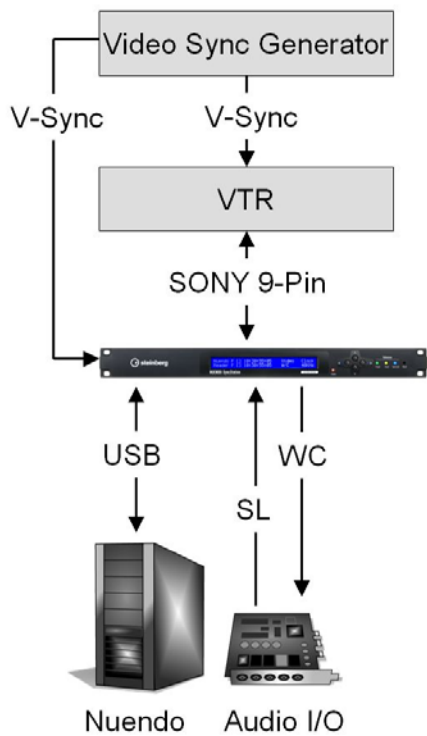
Nuendo SyncStation as clock distributor (WC input)



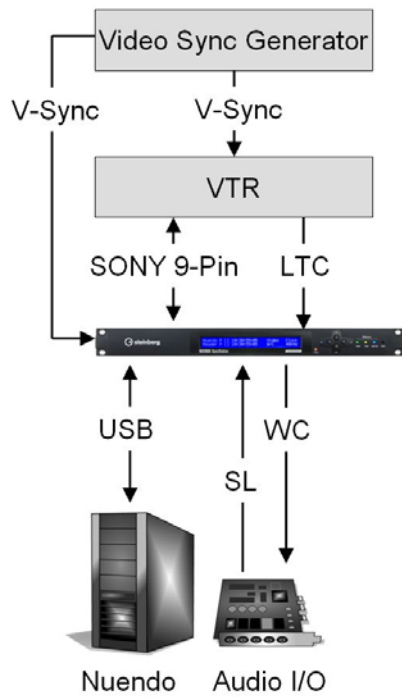
Nuendo SyncStation as LTC – slave, generating WC from LTC



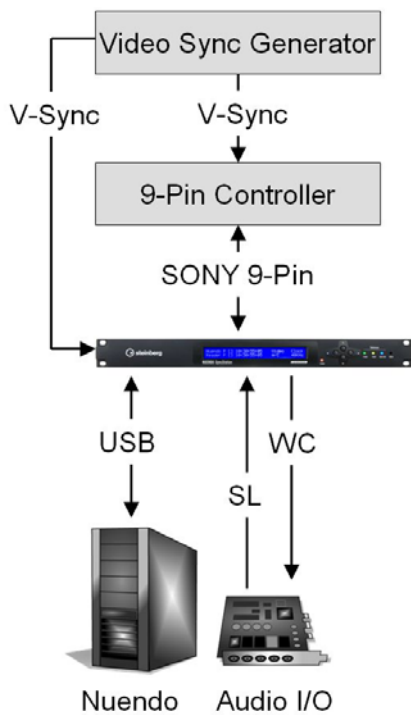
Nuendo SyncStation as 9-pin master – controls VTR, which redelivers VITC over 9-pin



Nuendo SyncStation as 9-pin master – controls VTR, which redelivers LTC



Nuendo SyncStation – controlled by an external 9-pin device



Nuendo SyncStation – controlling red light via GPIO, while it's triggered by a footswitch

